

PRODUCT INFORMATION PACKET

Model No: 056B34D2023

Catalog No: G258

1.50 HP General Purpose Motor, 1 phase, 3600 RPM, 115/208-230 V, 56C Frame, ODP
Single Phase ODP Motors





Nameplate Specifications

Output HP	1.50 Hp	Output KW	1.1 kW
Frequency	60 Hz	Voltage	115/208-230 V
Current	14.2/7.9-7.1 A	Speed	3450 rpm
Service Factor	1.15	Phase	1
Efficiency	78.5 %	Power Factor	87.6
Duty	Continuous	Insulation Class	B
Design Code	NO DESIGN CODE	KVA Code	M
Frame	56C	Enclosure	Drip Proof
Thermal Protection	No	Ambient Temperature	40 °C
Drive End Bearing Size	6203	Opp Drive End Bearing Size	6203
UL	Recognized	CSA	Y
CE	Y	IP Code	22

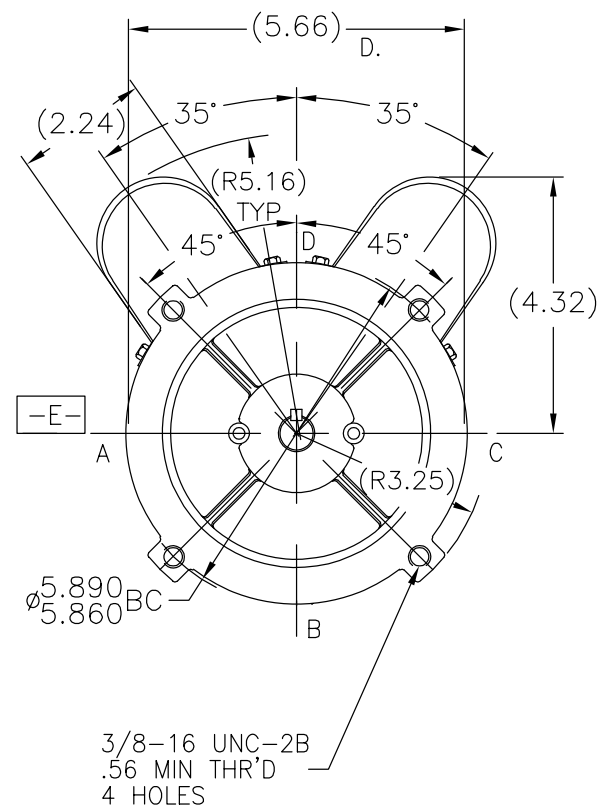
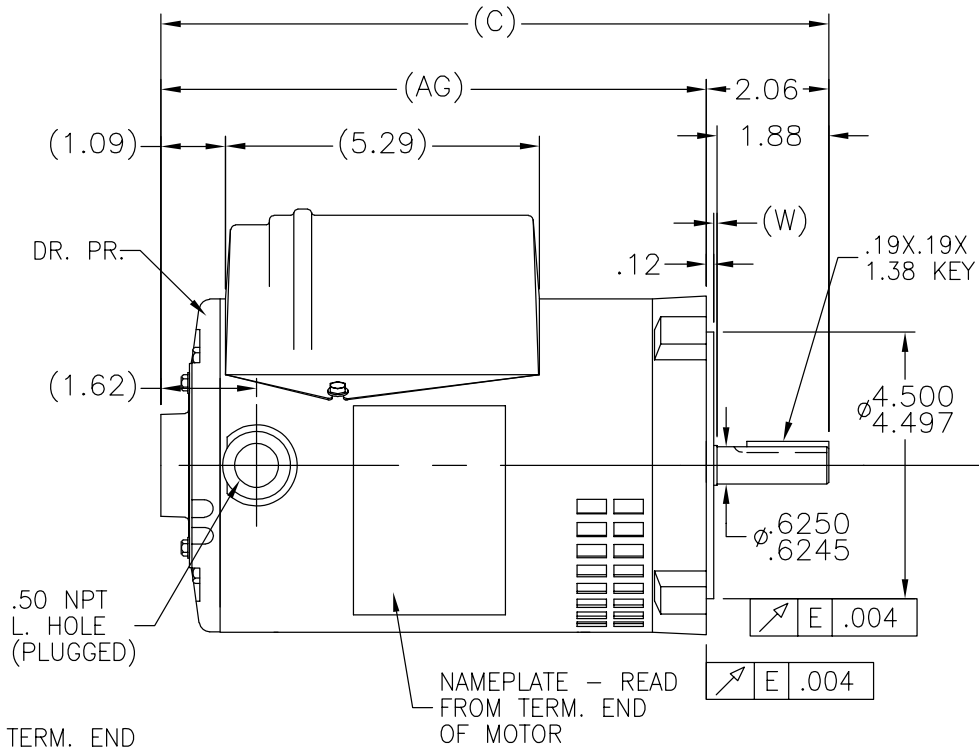
Technical Specifications

Electrical Type	Capacitor Start Capacitor Run	Starting Method	Across The Line
Poles	2	Rotation	Selective Counterclockwise
Resistance Main	0 Ohms	Mounting	Round
Motor Orientation	Horizontal	Drive End Bearing	Ball
Opp Drive End Bearing	Ball	Frame Material	Rolled Steel
Shaft Type	NEMA 56	Overall Length	11.68 in
Frame Length	7.75 in	Shaft Diameter	0.625 in
Shaft Extension	1.88 in	Assembly/Box Mounting	F1 ONLY

This is an uncontrolled document once printed or downloaded and is subject to change without notice. Date Created:01/11/2019

"W" = CLEARANCE ALLOWED FOR ALL VARIANCES
IN MANUFACTURING AND ASSEMBLY.

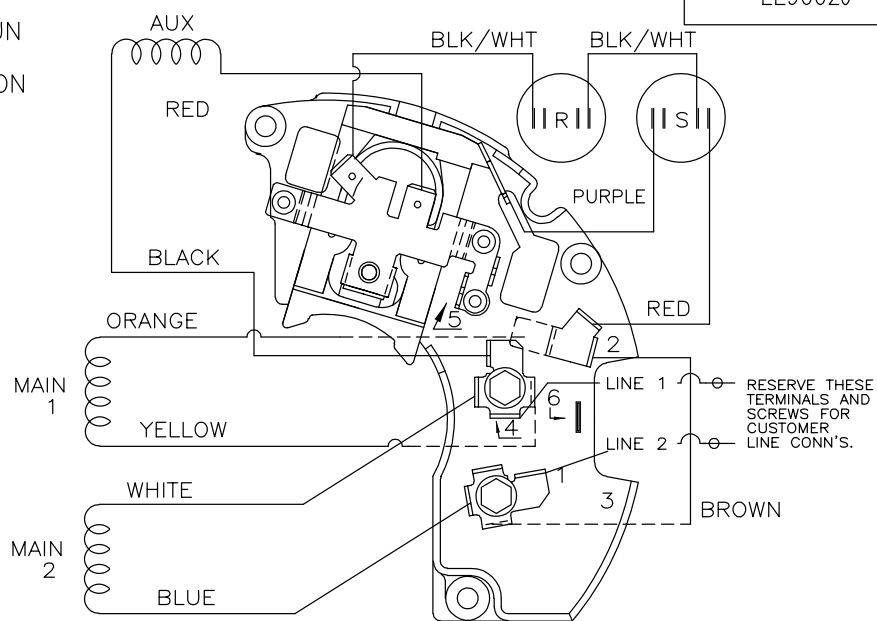
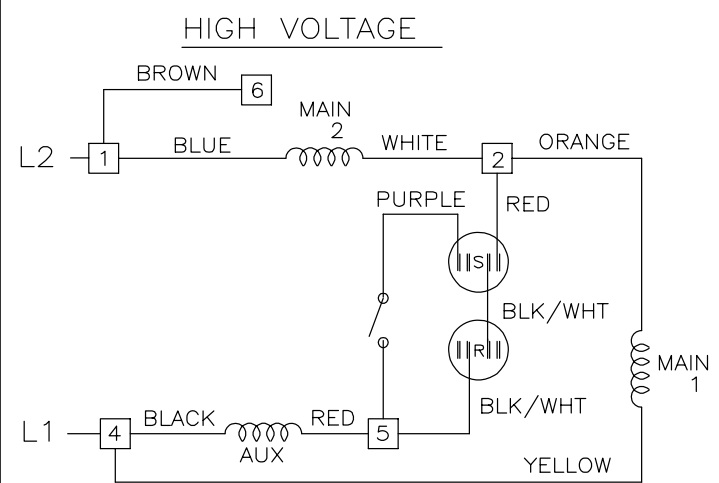
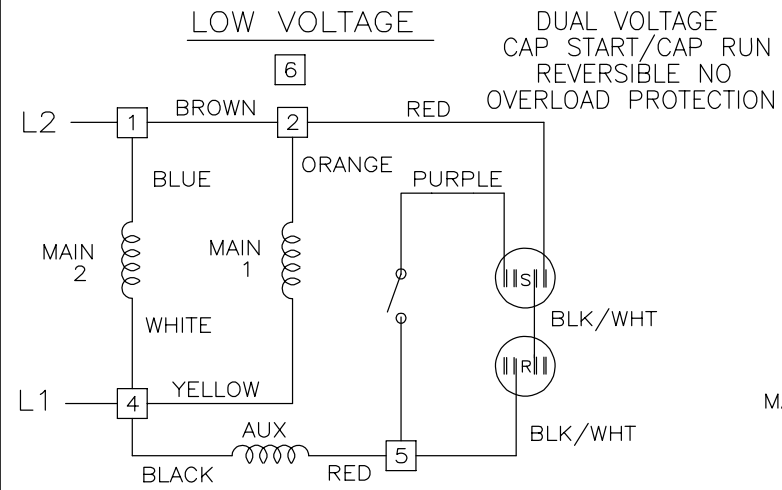
SS74488



DASH	C	AG
775	11.68	9.62
800	11.93	9.87
825	12.18	10.12

NO.	REVISION	BY & DATE	TOLERANCES UNLESS SPECIFIED		FINISH	DRAWN RM 10/9/1990
			DEC.	INCHES		
3	UPDATED DRAWING	TJW 05/04/2007	.X	±.1	TITLE OUTLINE	CHK ML 10/9/1990
2	REDRAWN	RM 10/9/1990	.XX	±.03	MAT'L.	APPD GK 10/9/1990
			.XXX	±.005		SCALE 3=8
			.XXXX	±.0005		REF
			CHK ANG	±7'30"		PREV
THIS DRAWING IN DESIGN AND DETAIL IS OUR PROPERTY AND MUST NOT BE USED EXCEPT IN CONNECTION WITH OUR WORK ALL RIGHTS OF DESIGN AND INVENTION ARE RESERVED THIS IS AN ELECTRONICALLY GENERATED DOCUMENT - DO NOT SCALE THIS PRINT			RFP	CAD FILE SS74488	SIZE A	DRAWING NO. PAGE 1 OF 1 REV. SS74488 3
			DIST WP			

EE9002J



VIEWING TERM END

LOW VOLTAGE CCW ROTATION SHOWN.

FOR HIGH VOLTAGE
CONNECT BROWN TERM 2 TO TERM 6.
CONNECT WHITE TERM 4 TO TERM 2.

TO REVERSE ROTATION EITHER
VOLTAGE INTERCHANGE RED
LEAD WITH BLACK LEAD.

DASH LINES INDICATE LEADS CONNECTED
TO MOTOR SIDE OF SWITCH.

		TOLERANCES UNLESS SPECIFIED			DRAWN SVL 6/17/2013
		DEC.	INCHES		CHK
		.X	± -		APPD
		.XX	± -		SCALE NTS
				TITLE CONNECTION DIAGRAM	REF EE9002J
				48 FR. - DUAL VOLTAGE REVERSIBLE	FMF PR132489
2	TEMPLATE LOGO CHNAGED FROM MARATHON TO DAYTON	KR 05/16/2014	VS .XXXX ± -	MAT'L.	PREV
NO.	REVISION	BY & DATE	CHK ANG ± -	FINISH	
THIS DRAWING IN DESIGN AND DETAIL IS OUR PROPERTY AND MUST NOT BE USED EXCEPT IN CONNECTION WITH OUR WORK ALL RIGHTS OF DESIGN AND INVENTION ARE RESERVED THIS IS AN ELECTRONICALLY GENERATED DOCUMENT - DO NOT SCALE THIS PRINT				RFP	CAD FILE ee9002j
				DIST	SIZE A
				DRAWING NO. EE9002J	PAGE 1 OF 2
					REV. 02